



Scalable Render Engine For
Broadcast Quality Previews & Animations

CAMIO RENDER ENGINE

PRODUCT INFORMATION SHEET

SCALABLE RENDER ENGINE

FOR
BROADCAST
QUALITY
PREVIEWS &
ANIMATIONS

STREAMLINED GRAPHICS CREATION EXTENDED TO THE EDIT SUITE AND BEYOND

CAMIO Render Engine is the next generation graphics renderer for a wide gamut of evolving newsroom applications. Publishing to the edit suite, web, social media and OTT is becoming a vital part of the news production workflow. CAMIO Render Engine is the platform that supports these current and future applications using scalable rendering, transcoding and publishing technologies.

CAMIO Render Engine is part of ChyronHego's CAMIO Universe, supporting our graphics and playout solutions, including Lyric, LyricX, PRIME, Neon, Plutonium, and Metacast. CAMIO Universe seamlessly integrates these graphics creation tools with file-based workflows, including LUCI template fulfillment, Axis World Graphics content creation and order management system, and extends ChyronHego's graphics creation capabilities into a wide range of editing, social publishing and streaming applications.

PREVIEW RENDERER ENHANCES YOUR WORKFLOW

The basic functionality of the CAMIO Render Engine includes the new PREVIEW RENDERER software for providing an instant real-time visualization of every graphical asset to producers and control room operators. High quality, pixel-accurate previews mean that the production staff can create their stories and go to air with confidence. CAMIO Render Engine helps producers and post production see what is on deck for OTT and digital publishing workflows.



EASILY CREATE AND ADD GRAPHICS IN THE EDIT SUITE

With the new MEDIA RENDERER software option, CAMIO Render Engine provides video animations that give video editors and web designers access to the same templates used by newsroom users, giving them the ability to create full broadcast-quality stills and animations directly from within their editing environment, and with full access to the CAMIO workflow.

STREAMLINED GRAPHICS DELIVERED DIRECTLY TO THE EDIT BAY

The MEDIA RENDERER option supports newer versions of GVG Edius, Avid Media Composer, and Adobe Premiere. Contact ChyronHego support to find out if your specific version is supported.



SCALABILITY: CAMIO RENDER ENGINE GROWS WITH YOU

CAMIO Render Engine's architecture is scalable to fit any size operation and designed to easily grow with your needs. As more users come online, additional CAMIO Render Engines can be added in parallel to reduce cycle time for newsroom previews and edit suite renders.

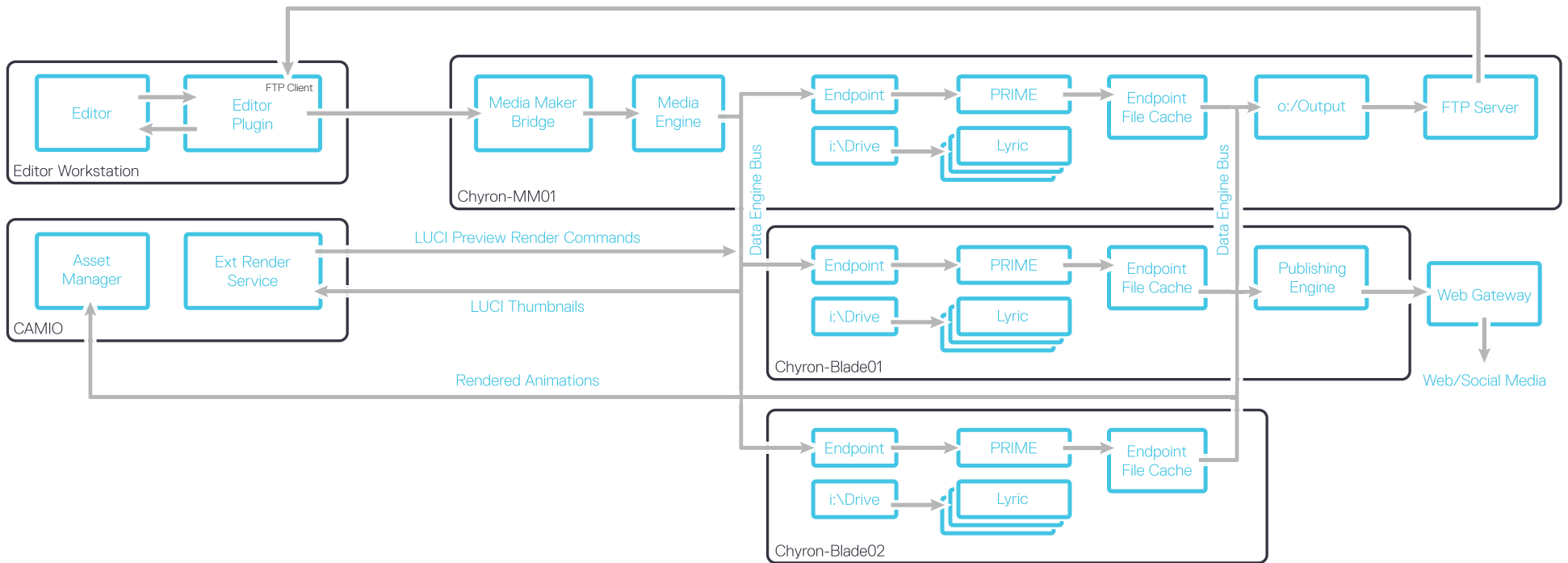


KEY FEATURES

- Creates newsroom previews for LUCI and ISQ users.
- Media Renderer option adds editor plugin and watch folder workflows to easily create animations in the editor timeline. Editors use the same graphics creation tools used in the newsroom, permitting consistent branding throughout the entire broadcast.
- Editors and graphic designers have easy access to the same graphics templates and diverse graphics tools used by newsroom users.
- CAMIO Render Engine architecture is scalable to fit any size operation. Add multiple renderers as more users and applications come online.

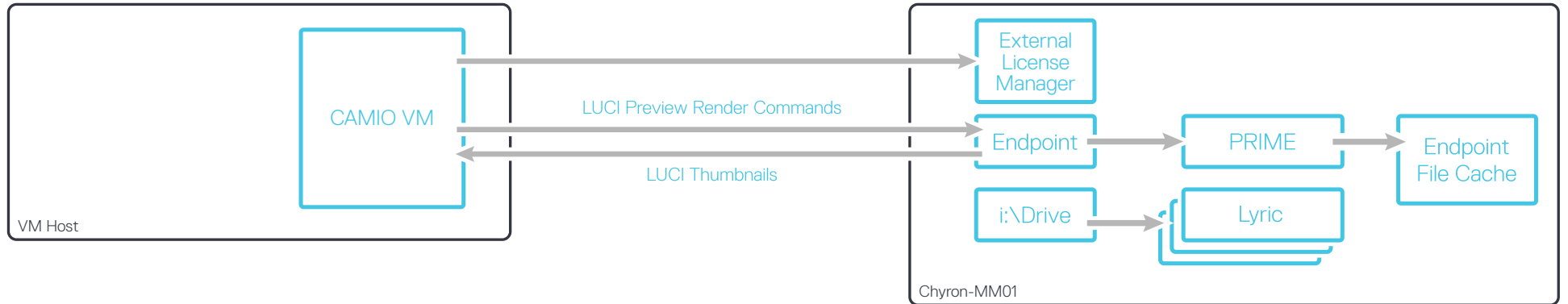
CAMIO RENDER ENGINE

BLOCK DIAGRAM OVERVIEW



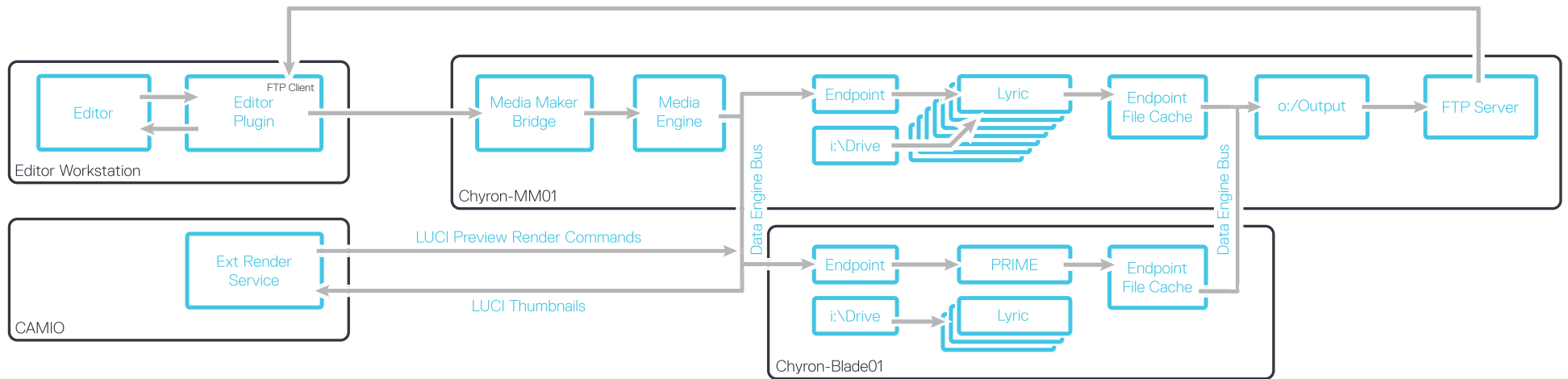
CAMIO RENDER ENGINE

BLOCK DIAGRAM OVERVIEW



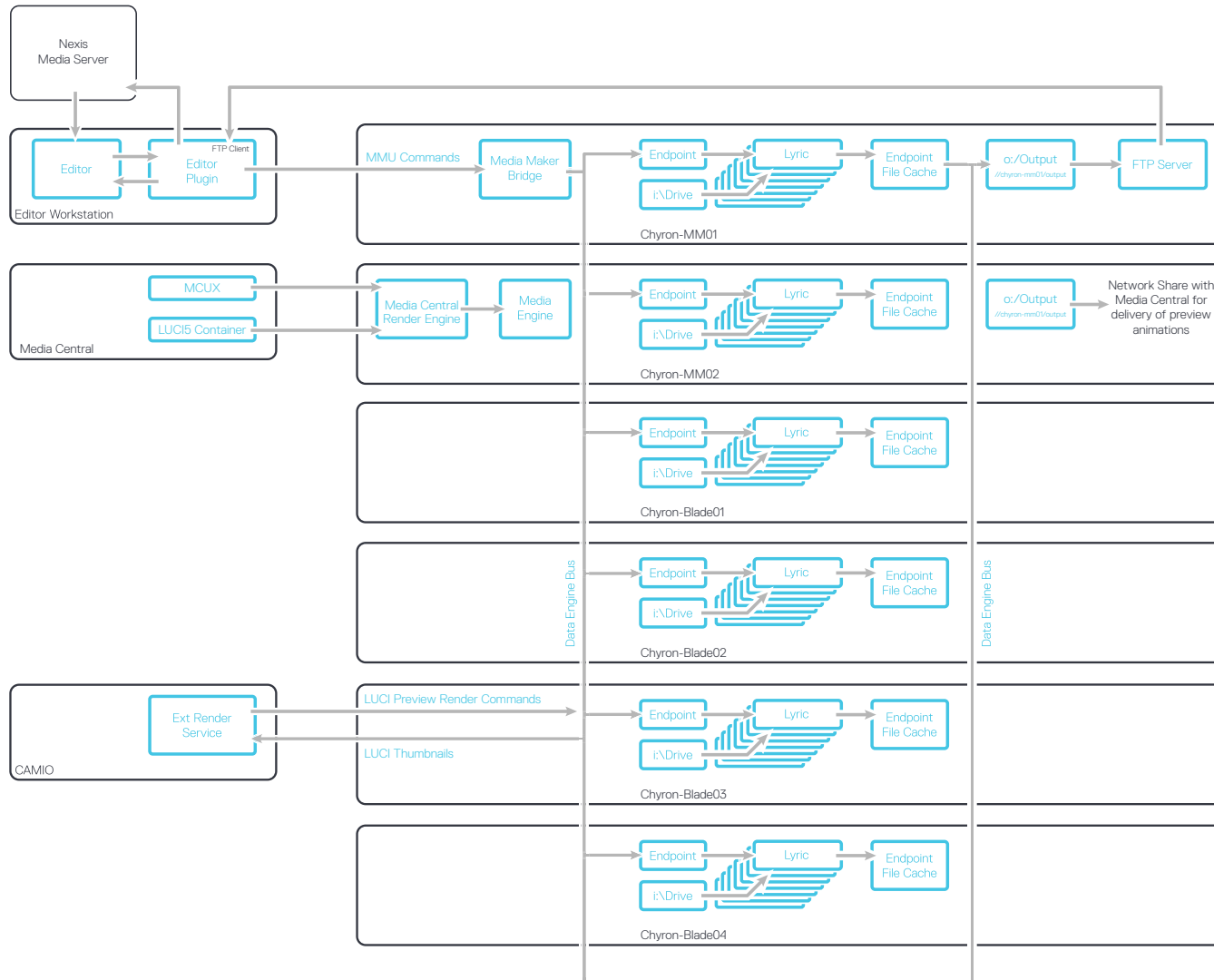
CAMIO RENDER ENGINE

BLOCK DIAGRAM OVERVIEW



CAMIO RENDER ENGINE

BLOCK DIAGRAM OVERVIEW



ABOUT CHYRONHEGO

ChyronHego, a portfolio company of Vector Capital, is a global leader in products, services, and solutions for the broadcast and sports industries. Specializing in live television, news, and sports production, ChyronHego offers some of the industry's most widely deployed solutions — including Lyric®, the world's most popular broadcast graphics creation and playout offering; the all-new CAMIO® Universe newsroom workflow; and TRACAB® Optical Tracking, the global leader in optical sports tracking systems as well as Click Effects, the most proven and versatile stadium broadcast family of graphics products. Headquartered in Melville, New York, ChyronHego also has offices in the Czech Republic, Denmark, Finland, Germany, Mexico, the Netherlands, Norway, Singapore, Slovak Republic, Sweden, and the United Kingdom.

For more information on ChyronHego, visit www.chyronhego.com.

CONTACT SALES AND
SCHEDULE A DEMO @

NORTH AMERICA

+1.631.845.2000 |

EMEA

+46 8 534 88 300 |

LATIN AMERICA

+1.305.972.1396

ASIA/PACIFIC

+65.64071330 |

JOIN THE CONVERSATION
ONLINE WITH CHYRONHEGO @

www.chyronhego.com

Copyright 2019 ChyronHego Corporation. All rights reserved. ChyronHego is a trademark of ChyronHego Corporation. All other tradenames referenced are service marks, trademarks, or registered trademarks of their respective companies. Specifications subject to change without notice.